

PICNIC SETTING

Designer: SPARK - Robert Gill



SLAT OPTIONS

- Oiled hardwood
- Composite
- Clear anodised aluminium

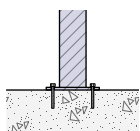
FRAME OPTIONS

- Hot dip galvanised mild steel

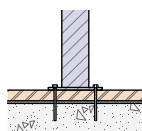
FRAME FINISHES

- Galvanised
- Powdercoated

INSTALLATION



Bolt Down



Below Through

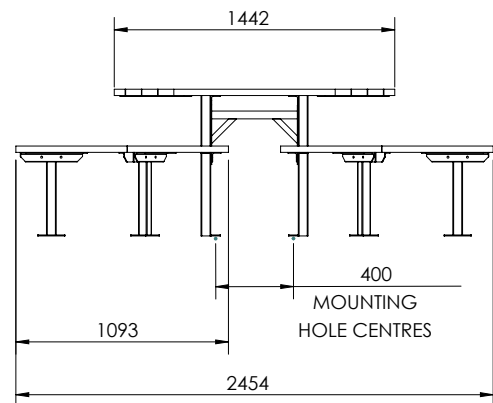
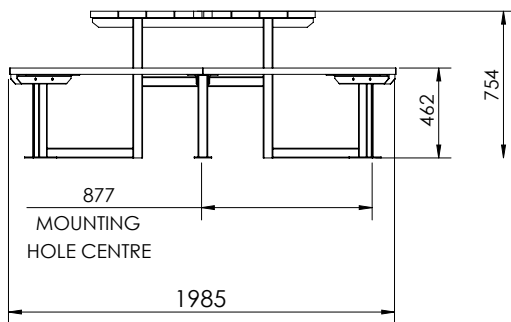
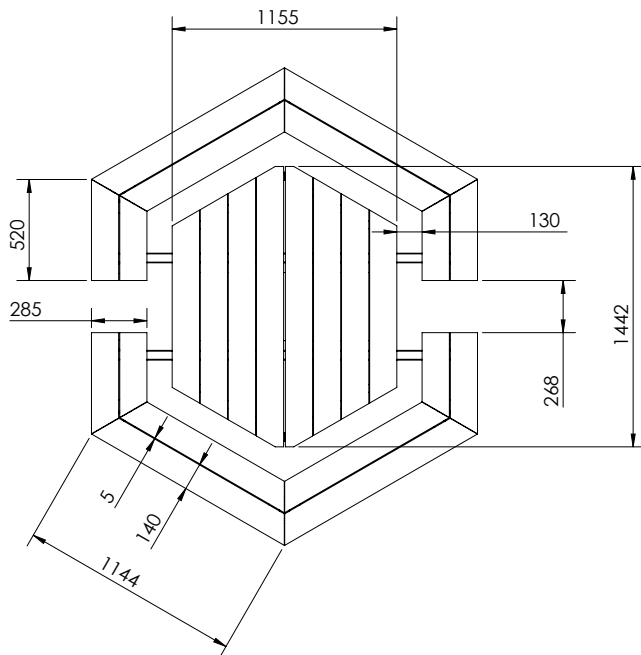
FIXINGS

- 12mm fixings for 14mm
- Diameter holes

Alternative materials and finishes available on request

CAMP KING PICNIC SETTING

SPECIFICATIONS



All measurements are in millimetres. Drawings are not to scale.

PRODUCT CODES	FRAME FINISHES	SLAT OPTION & SIZE (mm)
UTL006-HDG-GV-T-CK	Galvanised	140x32 Oiled hardwood timber
UTL006-HDG-GV-C-MW	Galvanised	137x32 Composite
UTL006-HDG-PC-T-CK	Powdercoated	140x32 Oiled hardwood timber
UTL006-HDG-PC-C-MW	Powdercoated	137x32 Composite